



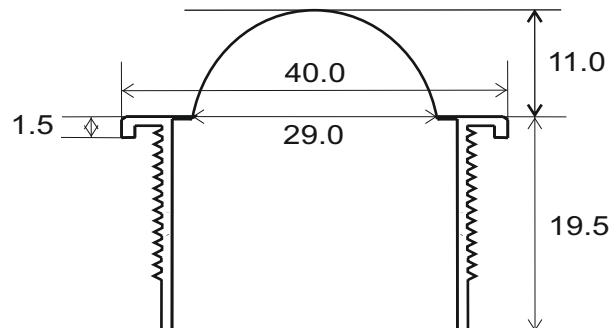
**W. Schmid AG**

LED-Technology  
the visible difference

## LED - Indicator WSF 40



WSF 40 - LED-Indicator, 10-30 VDC



nut M35x1 / AF 38 mm  
O-ring 1.6mm

- 35.5 mm mounting hole
- 29 mm colored or white opaque convex epoxy lens
- colorless or black anodized aluminum housing
- gas- and water proof
- vandal proof and acid resistant
- shock- and vibration resistant
- long service life (>50'000 hours)
- for use in the chemical industry, machine building, railways, mining or access control systems

## Technical specifications

Color	Wavelength
red	624nm
yellow	589nm
green	522nm
orange	640nm
blue	465nm
white	X = 0.25 / Y = 0.27

### Current consumption

20 mA (10-30 VDC)

### Operating and storage temperature

-40 °C up to +85°C

## Standard options

### Series

WSF = LED Indicator convex

### Diameter

40 = 40mm

### Terminals

C = cable connection 1,2m

### Color code

1 = red            6 = blue  
2 = yellow       7 = white  
3 = green        8 = red-green  
4 = orange    136 = red-green-blue

### Lens

W = white opaque

### Voltages

D = VDC 10 - 30 VDC

### Housing

A = standard aluminum, hard anodized, colorless  
B = aluminum hard anodized, black  
N = nickel plated aluminum  
C = chrome plated aluminum

### Nut

M = metal nut, nickel plated brass

### Ordering example

WSF40 S123W30DAM

LED Indicator WSF40, 40 mm diameter, cable connection 2m, red-yellow-green LED, white colored convex lens, 10-30 VDC, hard anodised colorless aluminum housing, metal nut M35x1, O-ring NBR 70



### Upon request

- other voltages
- common anode
- other connections
- flashing LED
- other housing colors

## Manufacturer

W. Schmid AG  
Dorfstrasse 23  
5442 Fislisbach  
Switzerland  
Tel: +41 56 470 00 77 Fax: +41 56 470 00 74  
E-mail: [sales@led-lamps.ch](mailto:sales@led-lamps.ch) URL: <http://www.led-lamps.ch>