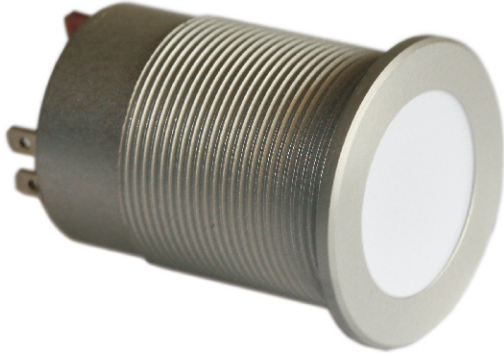




**W. Schmid AG**

LED-Technology  
the visible difference

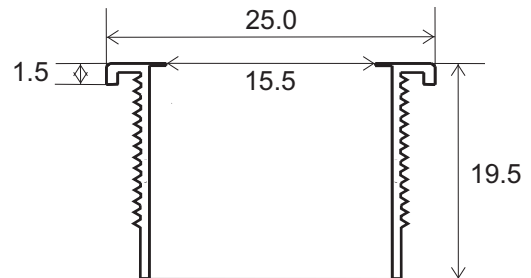
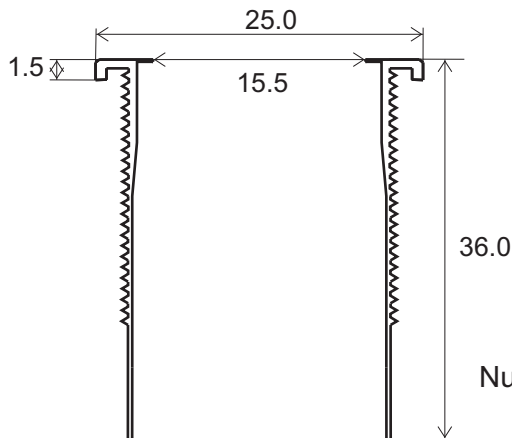
## LED - Indicator SL 25



SL 25 - LED-Indicator, 380 VAC



SL 25 - LED-Indicator 5 - 230 VDC/VAC



Nut M22x1 / AF 24 mm  
O-ring 1mm

- 22.5 mm mounting hole
- 15.5 mm colored or white opaque epoxy lens
- colorless or black anodized aluminum housing
- gas- and water proof
- vandal proof and acid resistant
- shock- and vibration resistant
- long life-time >50'000 hours
- variants of 5 VDC to 380 VAC available
- faston-, cable- or screw connections available
- lettering on illuminated surface possible
- for applications in the chemical industry, machine building, railways, mining or access control

## Technical specifications

Color	Wavelength
red	645nm
yellow	583nm
green	575nm
orange	640nm
blue	470nm
white	X = 0.29 / Y = 0.31

### Current consumption

20 mA (12/24 VDC), 10 mA (115 VDC/VAC), 20 mA (230 VAC), 4 mA (380 VAC)

### Operating and storage temperature

-40 °C up to +85°C

## Standard options

### Series

SL = LED Indicator flat

### Diameter

25 = 25mm

### Terminals

F = faston terminals 2,8 x 0,8mm

S = screw connectors

C = cable connection 1,2m

### Color code

1 = red	4 = orange	8 = red-green
2 = yellow	6 = blue	136 = red-green-blue
3 = green	7 = white	

### Lens

C = colored

W = white opaque

### Voltages

D = VDC 5 - 115 VDC

A = VAC 5 - 380 VAC

### Housing

A = standard aluminum, hard anodized, colorless

B = aluminum anodized, black

N = nickel plated aluminum

C = chrome plated aluminum

### Nut

P = standard black plastic nut, glass fibre reinforced

M = metal nut, nickel plated brass

### Ordering example

SL25 F2 C24 DAP

LED Indicator SL25, 25mm diameter, faston terminals 2,8 x 0,8mm, yellow LED, yellow colored lens, 24 VDC, aluminum standard housing, plastic nut M22x1, O-ring NBR 70



### Upon request

- other voltages
- common anode
- other connections
- flashing LED
- other housing colors
- lettering on illuminated surface

## Manufacturer

W. Schmid AG  
Dorfstrasse 23  
5442 Fislisbach  
Switzerland

Tel: +41 56 470 00 77 Fax: +41 56 470 00 74

E-mail: [sales@led-lamps.ch](mailto:sales@led-lamps.ch) URL: <http://www.led-lamps.ch>