



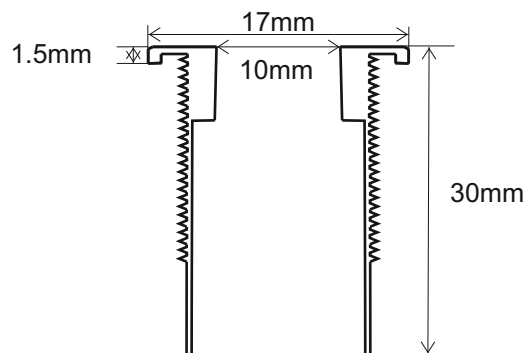
W. Schmid AG

LED-Technology
the visible difference

Magnetic buzzer MB17



Buzzer MB17



Fixing nut M14x1 / AF 17mm
O-Ring 1mm

Ø of hole in panel:	14mm
Service voltage:	5/12/24/48 VDC
Sound level:	85 dB
Resonance frequency:	3.1 +/- 0.5 kHz
Operating temperature:	-20 bis +70 °C
Type of sound:	continuous tone, pulse sound upon request
Electronics:	integrated
Housing:	colorless or black anodized aluminum
Terminals:	soldering tags/wires, faston or cable connection
Fixing nut:	plastic or metal fixing nut M25x1mm
Scope of application:	machine industry, construction of railway vehicles, mining, access control systems etc.

Manufacturer

W. Schmid AG
Dorfstrasse 23
5442 Fislisbach
Switzerland
Tel: +41 56 470 00 77 Fax: +41 56 470 00 74
E-mail: sales@led-lamps.ch URL: <http://www.led-lamps.ch>