



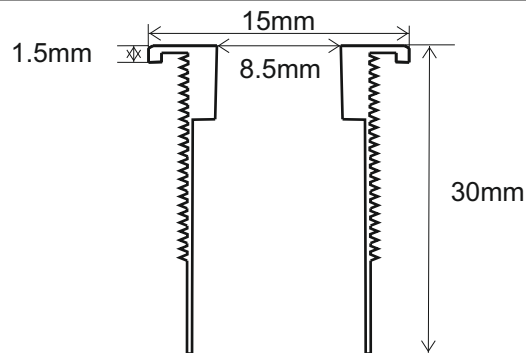
W. Schmid AG

LED-Technology
the visible difference

Magnetic buzzer MB15



Buzzer MB15



Fixing nut M12x1 / AF 14mm
O-Ring 1mm

Ø of mounting hole in panel:	12mm
Service voltages:	12/24/48 VDC
Sound level:	85 dB
Resonance frequency:	2.7 +/- 0.3 kHz
Operating temperature:	-20 up to +70 °C
Type of sound:	continuous tone, pulse sound upon request
Electronics:	integrated
Housing:	colorless or black anodized aluminium
Terminals:	soldering tags/wires, faston terminals or cable conn.
Fixing nut:	glass-fibre re-inforced plastic or metal nut M12x1mm
Scope of applications:	machine industry, railway vehicle construction, mining industry, access control systems etc.

Manufacturer

W. Schmid AG
Dorfstrasse 23
5442 Fislisbach
Switzerland

Tel: +41 56 470 00 77 Fax: +41 56 470 00 74

E-mail: sales@led-lamps.ch URL: <http://www.led-lamps.ch>