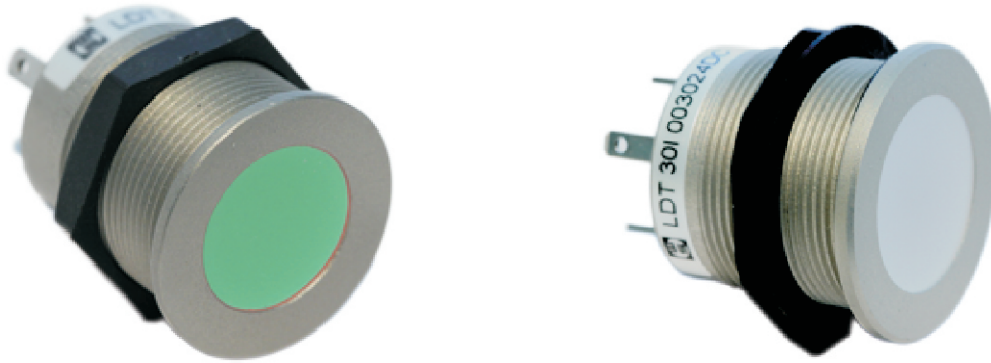




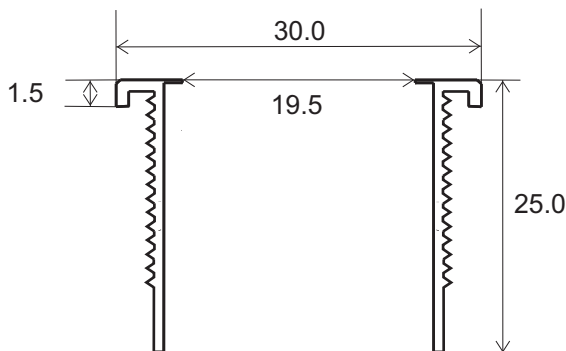
W. Schmid AG

LED-Technology
the visible difference

LED-ill. Push Buttons LDT 30



LDT 30 LED-ill. Push Button 5/12/24/36/48 VDC

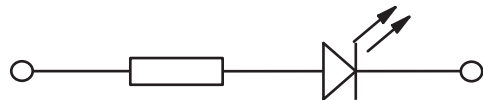


Nut M25x1 / AF 27mm
O-ring 1.6mm

momentary
contact
element



LED



Contact element max. 32 VDC / 50mA
LED for 5/12/24/36/48 VDC

- 25mm mounting hole
- 19.5mm colored or white opaque epoxy lens
- colorless or black hard anodized aluminum housing
- splash-proof push-button mechanism and connection side encapsulation
- vandal proof and acid resistant
- shock- and vibration resistant
- long life-time >50'000 hours for the LED, >500'000 operations for the switch
- LED-variants from 5 VDC to 48 VDC using N/O contact element, max. rating 32 VDC/50mA
- faston-, cable- or screw connections available
- lettering on illuminated surface
- for applications in the chemical industry, machine building, railways, mining or access control

Technical specifications

Luminosity, wavelength

red	65mcd	645nm
yellow	70mcd	583nm
green	50mcd	575nm
orange	14mcd	640nm
blue	60mcd	470nm
red-green	65/50mcd	645/575nm
red-green-blue	65/50/60mcd	645/575/470nm

Current consumption

5/12/24/48/72/115 VDC	20-40 mA
115/230/380 VAC	2-8mA

Operating and storage temperature

-40°C up to +85°C

Standard options

Series

SL = LED indicator, flat lens

Diameter

25/30/40/60 = 25/30/40/60mm

Terminals

F = faston terminals 2,8 x 0,8mm

S = screw connectors

C = cable connection 1,2m

Color code

1 = red	4 = orange	8 = red-green
2 = yellow	6 = blue	136 = red-green-blue
3 = green	7 = white	

Lens

C = colored

W = white opaque

Voltages

5/12/24/48/72/115 VDC

115/230/380 VAC

Housing

A = standard aluminum, hard anodized, colorless

B = aluminum, anodized black

N = nickel plated aluminum

C = chrome plated aluminum

Nut

P = standard black plastic nut, glass fibre reinforced

M = metal nut, nickel-plated brass

Ordering example

LDT30 F3 C24 DAP
Flat LED-ill. push-button LDT 30, 30mm diameter, faston terminals 2,8 x 0,8mm, green LED, green colored lens, 24 VDC, colorless anodized aluminum housing, plastic nut M25x1, O-ring 1,6 mm



Upon request

- other voltages
- common anode
- other connections
- flashing LED
- other housing colors
- lettering on illuminated surface

Manufacturer

W. Schmid AG
Dorfstrasse 23
5442 Fislisbach
Switzerland
Tel: +41 56 470 00 77 Fax: +41 56 470 00 74
E-mail: sales@led-lamps.ch URL: <http://www.led-lamps.ch>