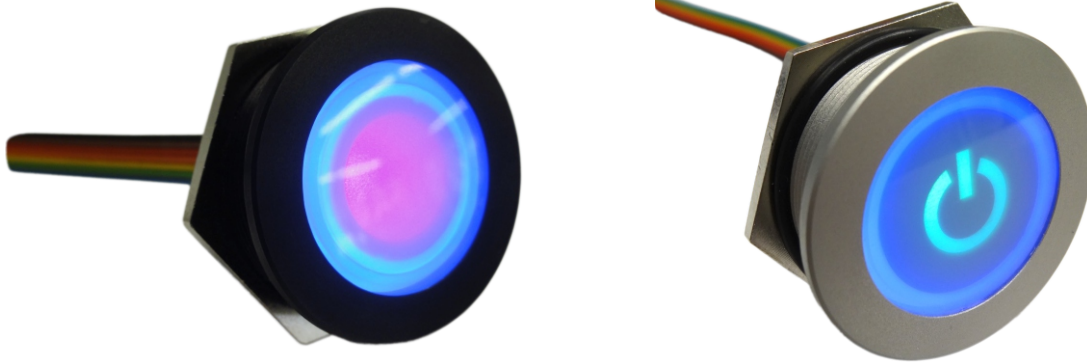




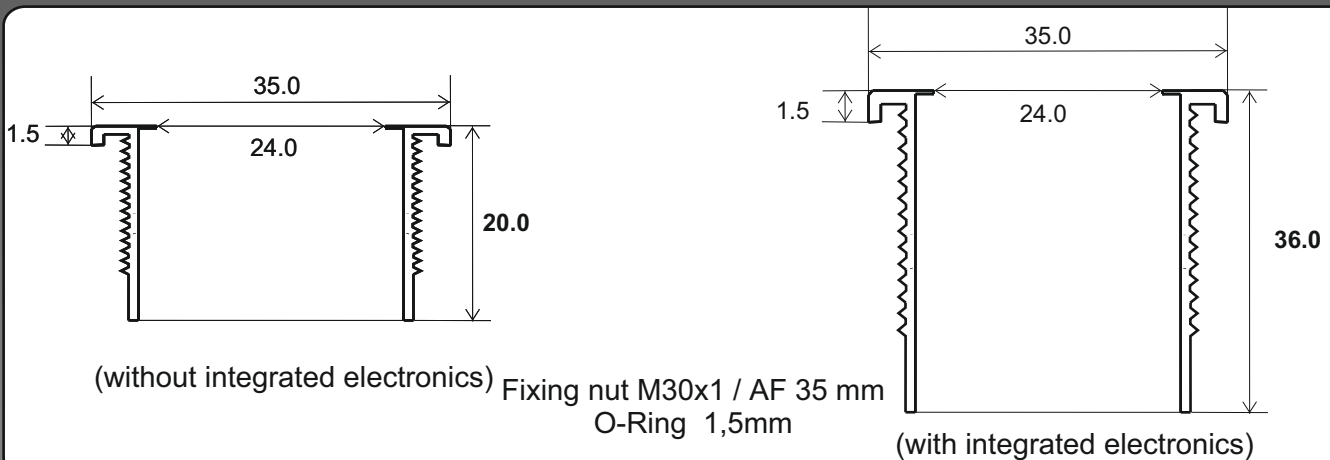
W. Schmid AG

LED-Technology
the visible difference

Capacitive LED-ill. push-button/switch CS35



Push-button/switch CS35, 5 - 24 VDC



- 30.5mm mounting hole
- transparent ill. screen, Ø 24 mm, made of polycarbonate
- colorless or black hard anodized aluminium housing
- gas- and watertight
- vandalproof
- shock- and vibration resistant
- long service life (>50'000 hours)
- variants from 5 VDC up to 24 VDC available
- touch-free push-button / switch, virtually wear-free
- available with integrated electronics (relais 60W, 2A/250 VAC max.)
- available with faston- or screwed terminals or with cast-in cable (length: 1,2 m)
- lettering on ill. screen possible, more than 300 symbols and characters available
- for applications in the chemical, the machine or the mining industry, for railway vehicles, for access control systems etc.

Technical specifications

Color	Wave length
red	650 nm
yellow	590 nm
green	570 nm
orange	640 nm
blue	470 nm
white	X = 0.31 / Y = 0.31

Current consumption, voltage (without electronics)

push-button/switch: 20mA (2 - 5.5 VDC), LED (for each color): 20mA (2 - 2.5VDC)

Operating and storage temperature

-20 °C up to +70°C

Standard execution

Series

CS = capacitive push-button

Diameter

35 = 35mm

Function

M = push-button (momentary)

L = switch (latching)

Electronics

X = without electronics

E = with integrated electronics (relais)

Terminals

F = faston terminals 2,8 x0,8mm

C = cable connection, length: 1,2m
(without electronics: ribbon cable 0.15-0.2m)

Color code (annular illumination)

1 = red 6 = blue

2 = yellow 7 = white

3 = green X = without

4 = orange

Character/symbol

XX = acc. to separate list

color code (symbol/character)

1 = red 6 = blue

2 = yellow 7 = white

3 = green 8 = red-green

4 = orange 136 = red-green-blue

Service voltages

D = VDC 5-115 VDC

Housing

A = aluminium hard anodized, colorless (standard)

B = aluminium hard anodized, black

N = nickel plated aluminium

C = chrome plated aluminium

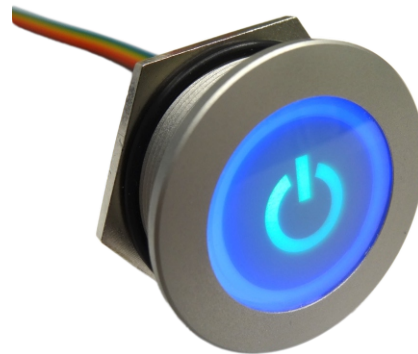
Fixing nut

M = metal fixing nut, nickel plated brass

Example

CS35LXC6K3/136XDAM

Capacitive push-button CS35, diameter: 35mm, momentary action, without electronics, ribbon cable, blue annular illumination, symbol no. K3, with RGB illumination (common anode), colorless hard anodized aluminium housing, nickel plated brass fixing nut M30x1, O-Ring NBR 70



upon request

- different service voltages
- common anode/cathode
- different terminals
- flashing LED
- different colors for the housing
- lettering on the ill. screen

Manufacturer

W. Schmid AG
Dorfstrasse 23
5442 Fislisbach
Switzerland

Tel: +41 56 470 00 77 Fax: +41 56 470 00 74

E-mail: sales@led-lamps.ch URL: <http://www.led-lamps.ch>

