



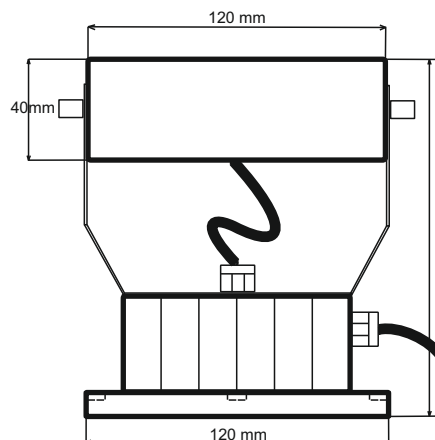
W. Schmid AG

LED-Technology
the visible difference

LED - Spot SPL120



SPL120,230 VAC



Specifications:

Description:	SPL120, LED spot light 120mm
Dimensions:	Ø=120mm, h=153mm
Service voltage:	85-265 VAC
Power consumption:	6W
Radiation angle:	30°/45°/60°
Degree of protection:	IP 65
Class of protection:	III
Operating temperature:	-25 up to +50°C
Material:	Gray powder-coated alum. housing, tempered glass lens
Weight:	1.350kg
Connection:	Cable connection 0.30-0.40m
Ill. colour:	white, warm white, red, yellow, green, blue, RGB
Applications:	Maschine illumination, working light, pilot light, decorative lamp, garden lamp, etc.