



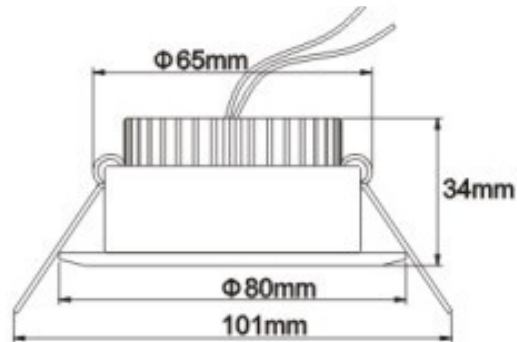
W. Schmid AG

LED-Technology
the visible difference

Panel mounted LED spot type EBS80



Panel mounted LED spot EBS80, 12/24 VDC



Specifications:

Description:	Panel mounted LED spot type EBS80, 80mm
Dimensions:	Ø=80mm, h=34mm
Service voltages:	12/24 VDC
Power consumption:	3W/5W
Viewing angle:	120° (or upon request)
Degree of protection:	IP 20
Class of protection:	III
Operating temperature:	-25 up to +50°C
Material:	Silver anodized aluminium, transparent lens
Weight:	0.150kg
Connection:	Cable connection, length: 0.15-0.20m
Available ill. colours:	White, warm white, red, yellow, green, blue, orange
Applications:	Machine illumination, working place light, pilot light, decorative light, living room illumination, reading lamp, etc.